

Vandapower has been THE **one-stop** shop and expert in battery components for 20 years. We provide convenience to our customers worldwide and want to deliver the best service possible.

Take a look at our [website](#) for more products and don't hesitate to [contact us](#) if you have any questions.

We at Vandapower are ready to serve you, are you ready to be served?

SurLok Plus Connector



Amphenol SurLok Plus™

Amphenol's SurLok Plus compression lug is a field installable, high reliable alternative to common compression lugs. By using industry standard crimp, screw and busbar termination options there is no need to use special torque tools. The new Amphenol SurLok Plus is an environmentally sealed version of the first SurLok, featuring a quick lock and press-to-release design. The product also incorporates the latest R4 RADSOK Technology.



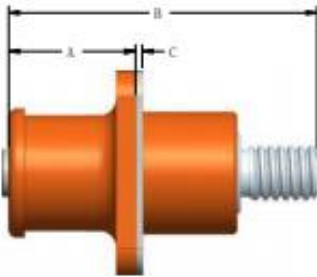
Features & Benefits of Surlok Plus™

- IP 67 rated
- R4 RADSOK Technology
- Voltage rating 1000V AC/DC
- Touch proof
- Quick lock and press-to-release design
- "Keyway" design to prevent incorrect mating
- 360° rotating plug
- Various termination options (threaded, crimp, busbar)
- Compact robust design

Product dimensions

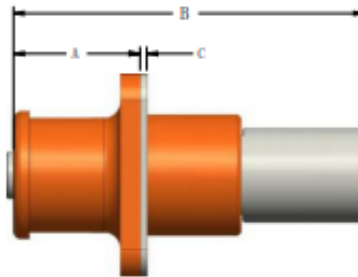
Contact Termination

Screw Termination



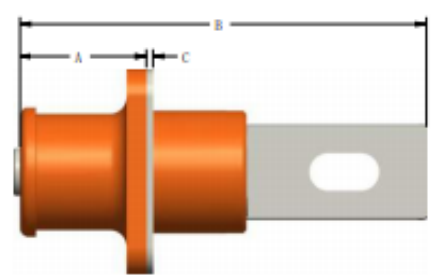
Size	Screw Termination		
	A	B	C
5.7 mm	16.5	36.7	1.0
8.0 mm	19.0	46.1	1.0
10.3 mm	25.8	55.5	0.3

Crimp Termination



Size	Crimp Termination		
	A	B	C
5.7 mm	16.5	40.7	1.0
8.0 mm	19.0	52.7	1.0
10.3 mm	25.8	50mm ² : 65.8	0.3
		70mm ² : 68.8	
		85mm ² : 71.8	

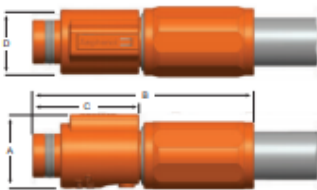
Busbar Termination



Size	Busbar Termination		
	A	B	C
5.7 mm	16.5	46.7	1.0
8.0 mm	19.0	61.2	1.0
10.3 mm	25.8	68.8	0.3

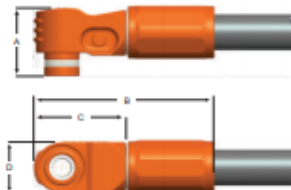
Shell Type

Right Angle Plug



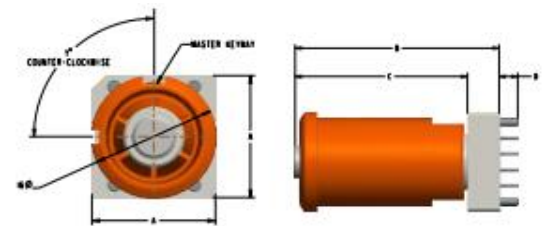
Size	Plug dimension			
	A	B	C	D
5.7 mm	16.5	36.7	1.0	18.0
8.0 mm	19.0	46.1	1.0	21.6
10.3 mm	25.8	55.5	0.3	28.0

Straight Plug



Size	Plug dimension			
	A	B	C	D
8.0 mm	24.5	72.4	34.8	21.4

Straight Receptacle



Size	Press-Fit Termination			
	A	B	C	D
5.7 mm	16.0	32.8	27.7	3.0

Ordering information

SurLok Plus 5.7mm

Product series: SurLok Plus™	Plug		RADSOK Size		Applicable Size		Backshells		Sealing		Connector color		Keyway (Omit for no Keyway)	
SLP	P	Right Angle Plug 90°	A	5.7 mm	16	16 mm ² : 100 Amps	B	W/Backshells	S	IP67 Sealed (W/ Grommet & O-rings)	O	Orange	0	90°
											B	Black	1	180°
					R	Red	2	60°						
							3	120°						
4	150°													
					25	25 mm ² : 120 Amps	N	W/O Backshells (For Overmolding Only)	N	Non-Sealed				

Product series: SurLok Plus™	Receptacle		RADSOK Size		Applicable cable Size (for crimping termination only)		Termination style		Panel mount		Sealing		Connector color		Keyway (Omit for no Keyway)	
SLP	P	Receptacle W/O Keyway	A	5.7 mm	16	16 mm ² : 100 Amps	B	Busbar	P	Panel Mount W/ Flange	S	IP67 Sealed (W/ Grommet & O-rings)	O	Orange	0	90°
							T	Threaded Post					B	Black	1	180°
	IR	Receptacle W/Keyway			25	25 mm ² : 120 Amps	C	Crimp	N	W/O Flange	N	Non-Sealed	R	Red	2	60°
															3	120°
														4	150°	



SurLok Plus 8.0mm

Product series: SurLok Plus™	Plug		RADSOK Size		Applicable cable Size		Backshells		Sealing		Connector color		Keyway (Omit for no Keyway)	
SLP	P	Right Angle Plug 90°	B	8.0 mm	35	35 mm ² : 150 Amps	B	W/Backshells	S	IP67 Sealed (W/ Grommet & O-rings)	O	Orange	0	90°
											B		Black	1
	IP	Straight Plug			50	50 mm ² : 200 Amps	N	W/O Backshells (For Overmolding Only)	N	Non-Sealed	R	Red		2
											R		Red	3
												4		150°

Product series: SurLok Plus™	Receptacle		RADSOK Size		Applicable cable Size (for crimping termination only)		Termination style		Panel mount		Sealing		Connector color		Keyway (Omit for no Keyway)	
SLP	P	Receptacle W/O Keyway	A	8.0 mm	35	35 mm ² : 150 Amps	B	Busbar	P	Panel Mount W/ Flange	S	IP67 Sealed (W/ Grommet & O-rings)	O	Orange	0	90°
							T	Threaded Post					B		Black	1
	IR	Receptacle W/Keyway			50	50 mm ² : 200 Amps	C	Crimp	N	W/O Flange	N	Non-Sealed	R	Red		2
													R		Red	3
														4		150°

SurLok Plus 10.3mm

Product series: SurLok Plus™	Plug	RADSOK Size	Applicable Cable Size	Backshells	Sealing	Connector color	Keyway						
SLP	P	C	10.3 mm	50	B	W/Backshells	S	IP67 Sealed (W/ Grommet & O-rings)	O	Orange	0	90°	
				70					70 mm ² : 250 Amps		B	Black	1
				85	85 mm ² : 300 Amps	N	W/O Backshells (For Overmolding Only)	N	Non-Sealed	R	Red	2	60°
					95 mm ² : 350 Amps					3		120°	
				4	150°								

Product series: SurLok Plus™	Receptacle	RADSOK Size	Applicable cable Size (for crimping termination only)	Termination style	Panel mount	Sealing	Connector color	Keyway (Omit for no Keyway)							
SLP	IR	C	10.3 mm	50	B	Busbar	P	Panel Mount W/ Flange	S	IP67 Sealed (W/ Grommet & O-rings)	O	Orange	0	90°	
				70	70 mm ² : 250 Amps	T					Threaded Post		B	Black	1
				85	85 mm ² : 300 Amps	C	Crimp	N	W/O Flange	N	Non-Sealed	R	Red	2	60°
					95 mm ² : 350 Amps							3		120°	
				4	150°										

SurLok Plus EMI 8.0 mm connectors

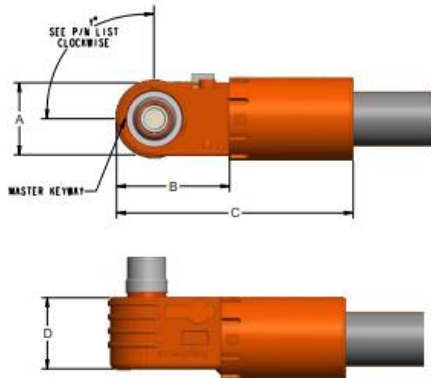


Features & Benefits SurLok Plus EMI Version

- EMI Shielded
- HVIL function
- Secondary locking system
- Flammability: UL 94 V-0
- Wide amperage: 150A – 250A
- RoHs compliant

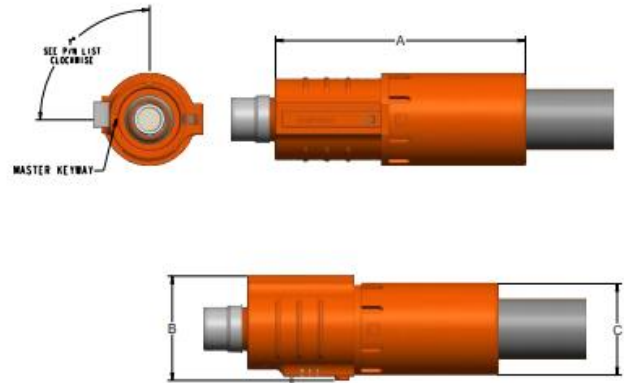
Product dimensions

Right Angle Plug



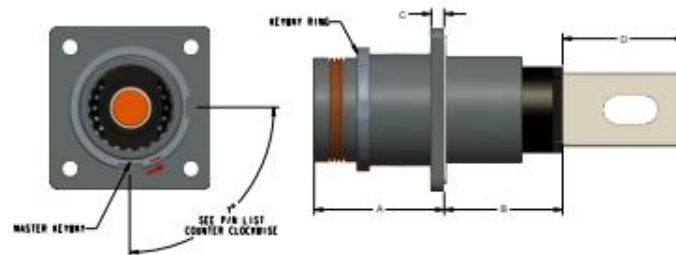
Size	Plug dimension			
	A	B	C	D
8.0 mm	26.2	41.2	86.2	25.8

Straight Plug



Size	Plug dimension		
	A	B	C
8.0 mm	82.5	34.3	30.0

Receptacle



Size	Receptacle dimension			
	A	B	C	D
8.0 mm	26.15	22.85	2.5	23.5

Ordering information

SurLok Plus 8.0mm with EMI

Product series: SurLok Plus™	Plug		RADSOK Size		Applicable cable Size		Backshells		Sealing		Connector color		Keyway (Omit for no Keyway)		EMI		HVIL (Optional)	
SLP	P	Right Angle Plug 90°	B	8.0 mm	35	35 mm ² : 150 Amps	B	W/Backshells	S	IP67 Sealed (W/ Grommet & O-rings)	O	Orange	0	90°	E	EMI	H	HVIL
					50	50 mm ² : 200 Amps					B	Black	1	180°				
	IP	Straight Plug			70	70 mm ² : 250 Amps	N	W/O Backshells (For Overmolding Only)	N	Non-Sealed	R	Red	2	60°				
												4	150°					

Product series: SurLok Plus™	Receptacle		RADSOK Size		Termination Style		Panel Mount		Sealing		Connector color		Keyway (Omit for no Keyway)		EMI		HVIL (Optional)	
SLP	R	Right Angle Plug 90°	B	8.0 mm	B	Busbar	P	Panel Mount W/ Flange	B	IP67 Sealed (W/ Grommet & O-rings)	O	Orange	0	90°	E	EMI	H	HVIL
											B	Black	1	180°				
	IR	Straight Plug							3	120°	R	Red	2	60°				
												4	150°					