

Vandapower has been THE one-stop shop and expert in battery components for 20 years. We provide convenience to our customers worldwide and want to deliver the best possible service.

Take a look at our [website](#) for more products and don't hesitate to [contact us](#) if you have any questions.

We at Vandapower are ready to serve you, are you ready to be served?

Rebling Double Pole Quick-disconnect Connectors and Accessories



Rebling Double Pole Connectors



Rebling is a manufacturer of connectors located near Philadelphia (US) specialized in high current (100 to 1.000 A) connectors for the past 50 years.

As applications trend toward higher voltages and currents as well as faster charging times, improved features are needed to enable OEMs in those sectors to maintain their competitive edge and reduce their end users' total cost of ownership.

Double Pole Quick-disconnect Connectors and Accessories

The bulkhead mounted receptacles and plugs are used in various industries.

At the moment, there is a trend toward higher voltages and currents and faster charging for work trucks, electrified vehicles, auxiliary power, and stationary power applications. It leads to a need for improved features, which enables OEMs in those markets to maintain a competitive edge and reduce their end users' total cost of ownership.

We can offer commercial grade receptacles and sockets with six colour-coded mechanical keying combinations. These keying combinations can be used to differentiate various voltage or current levels to prevent errors by your system assembly, operations, or maintenance personnel.

The Battery Swap Connector is suitable for battery swap and stackable modular power applications. Both high current DC connector halves are bulkhead-mounted and the rugged, high current pin contacts of the male connector act as the guide pins which mate with the socket contacts of the female connector.









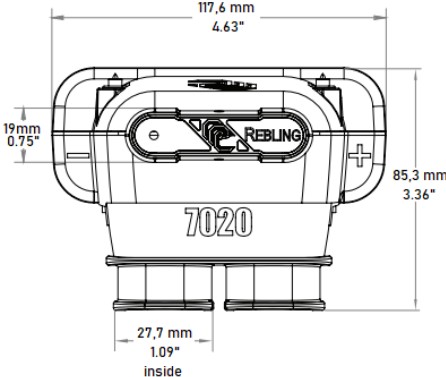
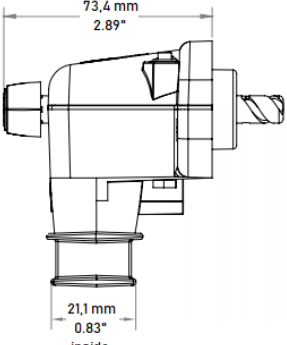
Commercial Cable-Mounted Plugs

|  |  |  |  |
|---|---|---|---|
| Type | 7020-T | 7020-O | 7020-E |
| EMI-shielded | | ✗ | ✓ |
| Keyable | | ✓ | ✗ |
| HVIL Switch & Magnet Kit | Optional | | |
| Continuous Rated current (CRC) <i>(per UL1977)</i> | 500 A | | 400 A |
| Current Profile #2 50% CRC for 60min + 1 sec peak + 50% CRC for 60 min | 3000 A | | 2200 A |
| Current Profile #3 50% CRC for 60min + 10 sec peak + 50% CRC for 60 min | 2000 A | | 1500 A |
| Current Profile #4 50% CRC for 60min + 30 sec peak + 50% CRC for 60 min | 1500 A | | 1000 A |
| Current Profile #5 50% CRC for 60min + 60 sec peak + 50% CRC for 60 min | 1000 A | | 800 A |
| Rated Voltage | 1500 VDC | | 1000 VDC |
| Dielectric Withstanding Voltage | 5000 VDC | | 4000 VDC |
| Max Contact Resistance | 70 MicroOhm | | |
| Maximum Wire Size | 4/0 AWG (110 mm ²) | | |
| Maximum Terminal Lug Tongue Width (inches) | 1.08 (27,4 mm) | | |
| Maximum Terminal Lug Web Width (inches) | 0.45 (11,4 mm) | | |
| Enviromental Sealing | IP55 IP56 (with optional shrink tube) | | |
| Operating Temperature | -40°C to 125°C | | -40°C to 90°C |
| Connection Bolts (inch) | 5/16-18 | | |

EMI-shielded = reduces the electromagnetic field in a space by blocking the field with barriers made of conductive or magnetic materials.

HVIL = High-Voltage Interlock Loop

| Ordering codes and spare parts | | |
|---|----------------------------------|---|
| | Ordering code | Description |
|  | RBL-7020-T | Rebling Double pole, keyable Plug, with non-conductive black backshell |
|  | RBL-7020-O | Rebling Double pole, keyable Plug, with non-conductive orange backshell |
|  | RBL-7020-E | Rebling Double pole, Plug, with EMI grey backshell |
|  | RBL-643A1757 | Rebling HVIL Kit for 7010 and 7020 |
|  | RBL-684A1765-A | Rebling Key Set for 7020, Orange (not for 7020-E) |
| | RBL-684A1765-B | Rebling Key Set for 7020, Blue (not for 7020-E) |
| | RBL-684A1765-C | Rebling Key Set for 7020, Green (not for 7020-E) |
| | RBL-684A1765-D | Rebling Key Set for 7020, Pink (not for 7020-E) |
| | RBL-684A1765-E | Rebling Key Set for 7020, White (not for 7020-E) |
| | RBL-684A1765-F | Rebling Key Set for 7020, Yellow (not for 7020-E) |
|  | AVIONICS MILITARY SPECIALS | <i>Plugs also available with certificate for avionics applications per military standards → for these versions, please contact us</i> |








| Measurements | |
|---|--|
|  |  |

Commercial Bulkhead-Mounted Receptacles

| | | |
|---|--|---|
|  |  |  |
| Type | 7010-3 | 7009-51 |
| EMI-shielded | ✗ | ✓ |
| Keyable | ✓ | ✗ |
| HVIL Switch & Magnet Kit | Optional | |
| Continuous Rated current (CRC) (per UL1977) | 500 A | 400 A |
| Current Profile #2 50% CRC for 60min + 1 sec peak + 50% CRC for 60 min | 3000 A | 2200 A |
| Current Profile #3 50% CRC for 60min + 10 sec peak + 50% CRC for 60 min | 2000 A | 1500 A |
| Current Profile #4 50% CRC for 60min + 30 sec peak + 50% CRC for 60 min | 1500 A | 1000 A |
| Current Profile #5 50% CRC for 60min + 60 sec peak + 50% CRC for 60 min | 1000 A | 800 A |
| Rated Voltage | 1500 VDC | 1000 VDC |
| Dielectric Withstanding Voltage | 5000 VDC | 4000 VDC |
| Max Contact Resistance | 70 MicroOhm | |
| Maximum Wire Size | 4/0 AWG (110 m ²) | |
| Maximum Terminal Lug Tongue Width (inches) | 0.82 (20,8 mm) | 0.8 (20,3 mm) |
| Maximum Terminal Lug Web Width (inches) | 0.26 (6,6 mm) | 0.24 (6,1 mm) |
| Environmental Sealing | IP56 IP68 (with optional gasket) | |
| Operating Temperature | -40°C to 140°C | -40°C to 90°C |
| Connection Bolts (inch) | 5/16-18 | |

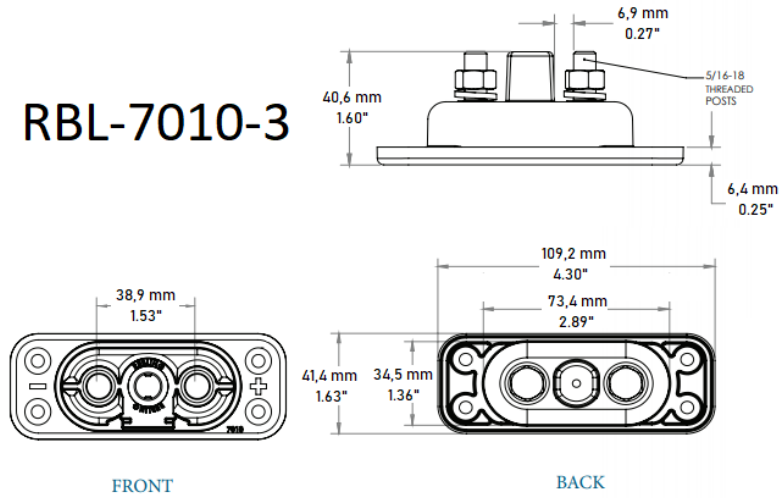
- EMI-shielded = reduces the electromagnetic field in a space by blocking the field with barriers made of conductive or magnetic materials.

- HVIL = High-Voltage Interlock Loop

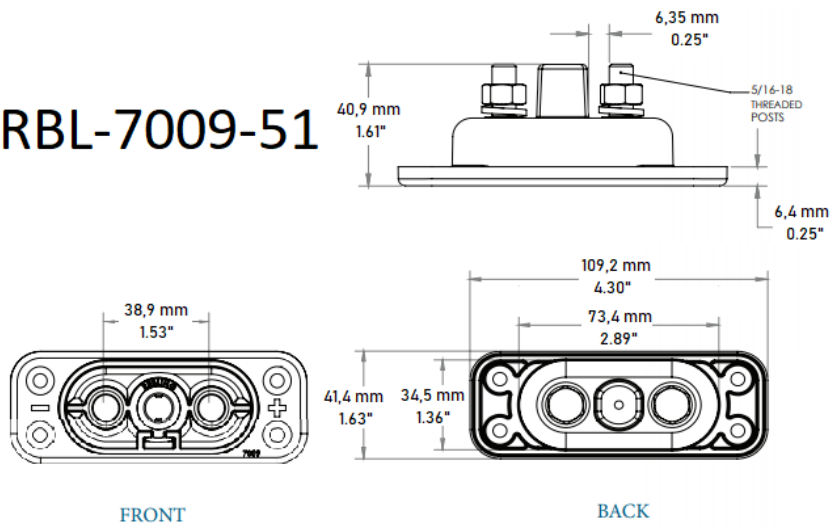
| Ordering codes and spare parts | | |
|---|----------------------------------|---|
| | Ordering code | Description |
|  | RBL-7010-3 | Rebling Double pole, Keyable Receptacle |
|  | RBL-7009-51 | Rebling Double pole Receptacle, EMI Shielded |
|  | RBL-643A1757 | Rebling HVIL Kit for 7010 and 7020 |
|  | RBL-685A1766 | Rebling Gasket with attached Dust Cover for 7010 |
|  | RBL-100A1784 | Rebling Gasket for 7010 |
|  | RBL-643A1625 | Rebling EMI gasket for 7009-51 |
|  | RBL-684A1763-A | Rebling Key Set for 7010, Orange (not for 7009) |
| | RBL-684A1763-B | Rebling Key Set for 7010, Blue (not for 7009) |
| | RBL-684A1763-C | Rebling Key Set for 7010, Green (not for 7009) |
| | RBL-684A1763-D | Rebling Key Set for 7010, Pink (not for 7009) |
| | RBL-684A1763-E | Rebling Key Set for 7010, White (not for 7009) |
| | RBL-684A1763-F | Rebling Key Set for 7010, Yellow (not for 7009) |
|  | AVIONICS MILITARY SPECIALS | <i>Receptacles also available with certificate for avionics applications per military standards → for these versions, please contact us</i> |

Measurements

RBL-7010-3






RBL-7009-51



Battery Swap Bulkhead-Mounted Connectors

| | |
|---|--|
|  |  |
| Application | Suitable for battery swap and stackable modular power applications |
| Continuous Rated current (CRC) – Amp (per UL1977) | 500 A |
| Current Profile #2 50% CRC for 60min + 1 sec peak + 50% CRC for 60 min | 3000 A |
| Current Profile #3 50% CRC for 60min + 10 sec peak + 50% CRC for 60 min | 2000 A |
| Current Profile #4 50% CRC for 60min + 30 sec peak + 50% CRC for 60 min | 1500 A |
| Current Profile #5 50% CRC for 60min + 60 sec peak + 50% CRC for 60 min | 1000 A |
| Rated Voltage | 1000 VDC |
| Dielectric Withstanding Voltage | 4000 VDC |
| Max Contact Resistance | 70 MicroOhm |
| Maximum Buss Bar Cross Section (sq inches) | 0.80 (516 mm ²) |
| Maximum Buss Bar Width (inches) | 1.3 (33 mm) |
| Maximum Cable Lug Tongue Width (inches) | 1.3 (33 mm) |
| Environmental Sealing | IP68 for pin connector IP66 for socket connector |
| Operating Temperature | -40°C to 140°C |
| Connection Bolts (inch) | 5/16-18 |

Ordering codes and spare parts

| | Ordering code | Description |
|---|---------------|--|
|  | RBL-654A1679 | Rebling Battery Swap Male Connector, Black |
|  | RBL-654A1680 | Rebling Battery Swap Female Connector, Black |
|  | RBL-100A1112 | Gasket for Battery Swap Pin or Socket |

Measurements

