

Vandapower has been THE one-stop shop and expert in battery components for 20 years. We provide convenience to our customers worldwide and want to deliver the best possible service.

Take a look at our [website](#) for more products and don't hesitate to [contact us](#) if you have any questions.

We at Vandapower are ready to serve you, are you ready to be served?

Rebling Single Pole Feed-through Terminals



Rebling Single pole Feed-through Terminals



Rebling is a connector manufacturer located near Philadelphia (US) which has specialized in high current (100 to 1.000 A) connectors for the past 50 years.

As applications trend toward higher voltages and currents as well as faster charging times, improved features are needed to enable the OEMs in those sectors to maintain their competitive edge and reduce their end users' total cost of ownership.

Single pole feed-through terminals

The feed-through terminals are rated from 250 A to 1.000 A and 2.000 V, can take a peak current from 1.500 A to 5.000 A. They are designed for mounting to the steel, aluminum, or plastic panels found in switchgear, panel boards, power cabinets, generator sets, transformers, electrical panel boards, power management modules, battery racks, and control panels.

The terminals are also ideal to use in lithium battery applications: they can be used as external connections in a low voltage battery module or as internal connections in a high voltage battery pack. The brass core of this through panel connector is available with nickel plating for the harsh environments found in outdoor enclosures and remains cool at extreme DC charge or discharge cycles or AC switching rates.

Equipping your design with these single pole, pass-through terminals will enable integrators to incorporate your products into their power conditioning or distribution panel systems.

The double-ended female threaded electrical termination scheme eliminates the shorting hazard of male threaded posts and delivers more than twice the torque strength of a threaded post. This prevents potential damage inflicted by over-zealous end users. Flexible or rigid covers provide touch safety, both before and after cables have been attached to our power pass-through connector.



Single pole feed-through terminals

							
Type	LFT	SFT	MFT	BFT	BFT	XFT	XFT
Core Material	Brass				Copper	Brass	Copper
Nickel plated	Optional				✓		
Continuous Rated current (CRC) <i>(each of these current profiles causes a maximum 30°C temperature rise)</i>	250 A	250 A	500 A	750 A	1000 A	750 A	1000 A
Current Profile #2 50% CRC for 60min + 1 sec peak + 50% CRC for 60 min	1500 A	1500 A	3000 A	4000 A	5000 A	4000 A	5000 A
Current Profile #3 50% CRC for 60min + 10 sec peak + 50% CRC for 60 min	1000 A	1000 A	2000 A	3000 A	4000 A	3000 A	4000 A
Current Profile #4 50% CRC for 60min + 30 sec peak + 50% CRC for 60 min	750 A	750 A	1250 A	1800 A	2500 A	1800 A	2500 A
Current Profile #5 50% CRC for 60min + 60 sec peak + 50% CRC for 60 min	500 A	500 A	1000 A	1500 A	2000 A	1500 A	2000 A
Rated Voltage (continuous)	2000 V						
Minimum Dielectric Withstanding Voltage	5000 V (AC or DC)						
Max Contact Resistance	70 MicroOhm						
Maximum Wire Size - Terminal only	4/0 AWG (110 mm ²)	450 MCM (230 mm ²)	750 MCM (380mm ²)				
Maximum Wire Size - With Flexible Cover	4/0 AWG (110 mm ²)						
Maximum Wire Size - With Rigid Short Cover	3/0 AWG (80 mm ²)			Only long rigid cover available		Rigid cover not available	
Maximum Wire Size - With Rigid Long Cover	2 AWG (35 mm ²)			250 MCM (126 mm ²)		Rigid cover not available	
Maximum Terminal Lug Tongue Width (inches) - With Flexible Cover	1.10 (28 mm)			1.50 (38 mm)			
Maximum Terminal Lug Tongue Width (inches) - With Rigid Short Cover	0.91 (23,11 mm)			Only long rigid cover available		Rigid cover not available	
Maximum Terminal Lug Tongue Width (inches) - With Rigid Long Cover	0.70 (17,8 mm)			1.70 (38 mm)		Rigid cover not available	
Minimum Panel Thickness (inches)	0.110 (2,8 mm)	0.025 (0,65 mm)	0.080 (2 mm)		0.025 (0,65 mm)		
Environmental Sealing	IP65 IP68 (with optional O-ring or gasket)						
Operating Temperature	Terminal and rigid cover: -40°C to 125°C With flexible cover: -40°C to 90°C						
Bolt size (SS Bolt)	M8 - 1.25 x 14mm			5/16-18 x 5/8 inch		M10 - 1.5 x 16mm	

Ordering codes		
	Ordering code	Description
	RBL-LFT-B-B	Rebling LFT 250 amp, unplated brass, black
	RBL-LFT-B-R	Rebling LFT 250 amp, unplated brass, red
	RBL-LFT-B-E	Rebling LFT 250 amp, unplated brass, blue
	RBL-LFT-P-B	Rebling LFT 250 amp, nickel plated brass, black
	RBL-LFT-P-R	Rebling LFT 250 amp, nickel plated brass, red
	RBL-LFT-P-E	Rebling LFT 250 amp, nickel plated brass, blue
	RBL-SFT-B-B	Rebling SFT 250 amp, unplated brass, black
	RBL-SFT-B-R	Rebling SFT 250 amp, unplated brass, red
	RBL-SFT-B-E	Rebling SFT 250 amp, unplated brass, blue
	RBL-SFT-P-B	Rebling SFT 250 amp, nickel plated brass, black
	RBL-SFT-P-R	Rebling SFT 250 amp, nickel plated brass, red
	RBL-SFT-P-E	Rebling SFT 250 amp, nickel plated brass, blue
	RBL-MFT-B-B	Rebling MFT 500 amp, unplated brass, black
	RBL-MFT-B-R	Rebling MFT 500 amp, unplated brass, red
	RBL-MFT-B-E	Rebling MFT 500 amp, unplated brass, blue
	RBL-MFT-P-B	Rebling MFT 500 amp, nickel plated brass, black
	RBL-MFT-P-R	Rebling MFT 500 amp, nickel plated brass, red
	RBL-MFT-P-E	Rebling MFT 500 amp, nickel plated brass, blue
	RBL-BFT-P-B	Rebling BFT 750 amp, nickel plated brass, black
	RBL-BFT-P-R	Rebling BFT 750 amp, nickel plated brass, red
	RBL-BFT-N-B	Rebling BFT 1000 amp, nickel plated copper, black
	RBL-BFT-N-R	Rebling BFT 1000 amp, nickel plated copper, red
	RBL-XFT-P-B	Rebling XFT 750 amp, nickel plated brass, black
	RBL-XFT-P-R	Rebling XFT 750 amp, nickel plated brass, red
	RBL-XFT-N-B	Rebling XFT 1000 amp, nickel plated copper, black
	RBL-XFT-N-R	Rebling XFT 1000 amp, nickel plated copper, red

Terminals includes the two bolts and two split washers for the connections

Spare Parts – Accessories – Tools



	Ordering code	Description	For
	RBL-716A1814	Rebling Gasket for SFT	
	RBL-716A1815	Rebling Gasket for MFT	
	RBL-700A1799	Rebling O-ring for LFT	
	RBL-720A1817	Rebling Gasket for XFT	
	RBL-651A1811	Rebling Gasket for BFT	
	RBL-648A1758	Rebling Rigid Cover for BFT, black	
	RBL-648A1779	Rebling Rigid Cover for BFT, red	

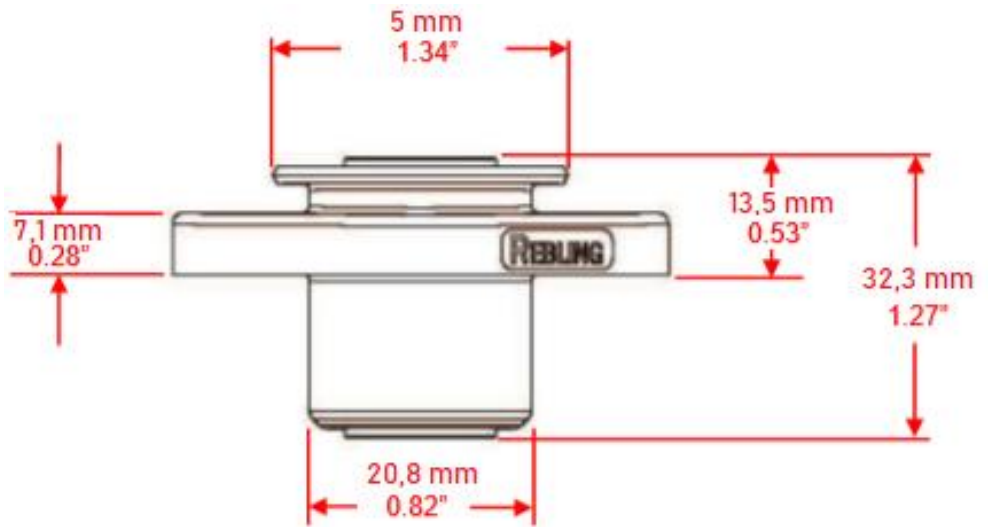
	RBL-639A1830-B	Rebling Flexible Cover for BFT, XFT, black	 + 
	RBL-639A1830-R	Rebling Flexible Cover for BFT, XFT, red	
	RBL-713A1806-B	Rebling Flexible Cover for LFT, SFT, MFT, black	
	RBL-713A1806-R	Rebling Flexible Cover for LFT, SFT, MFT, red	
	RBL-713A1806-E	Rebling Flexible Cover for LFT, SFT, MFT, blue	
	RBL-698A1789-L-B	Rebling Long Rigid Snap-on Cover for LFT, SFT, MFT, black	 +  + 
	RBL-698A1789-L-R	Rebling Long Rigid Snap-on Cover for LFT, SFT, MFT, red	
	RBL-698A1789-L-E	Rebling Long Rigid Snap-on Cover for LFT, SFT, MFT, blue	
	RBL-698A1789-S-B	Rebling Short Rigid Snap-on Cover for LFT, SFT, MFT, black	
	RBL-698A1789-S-R	Rebling Short Rigid Snap-on Cover for LFT, SFT, MFT, red	
	RBL-698A1789-S-E	Rebling Short Rigid Snap-on Cover for LFT, SFT, MFT, blue	

Measurements

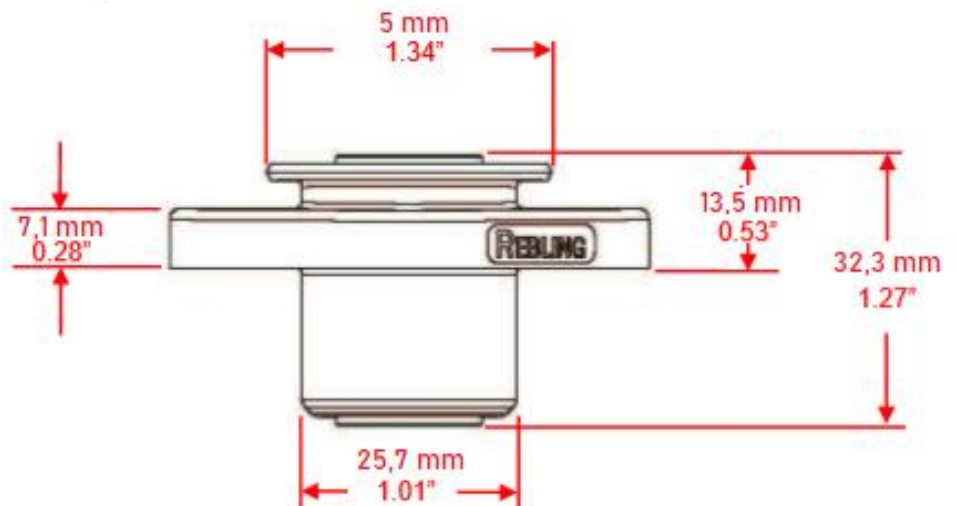
LFT


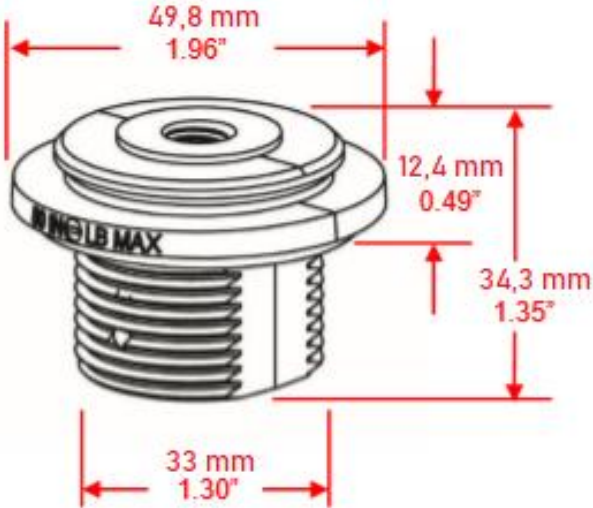


SFT



MFT



<p>BFT</p> 	
<p>XFT</p> 