

---

## REMA CONNECTORS

---



REMA Group, with locations in Germany, China and the USA, is one of the international technological leaders in the field of high-current contact systems. They develop and produce connector systems for charging electric vehicles, high-current connection materials and crimping tools as well as technologically sophisticated operator interfaces with integrated electronics. The development of the company was always supported by intensive research and development work. Through targeted knowledge transfer, new markets are continually explored and new, innovative products developed.

---

## FT Connector

---

To ensure optimal electrical motor performance it is imperative to use a reliable, high quality connection. The REMA Motor Connectors guarantee a long lasting connection with low power losses.

The design of the motor connectors is extremely compact. That means: high amperage – small dimensions. Each connection fulfils highest quality standards and shows functionality, easy handling, robust reliability and economy. The type FT 80 is in correspondence with French industrial standard and the European EN 1175-1 standard.

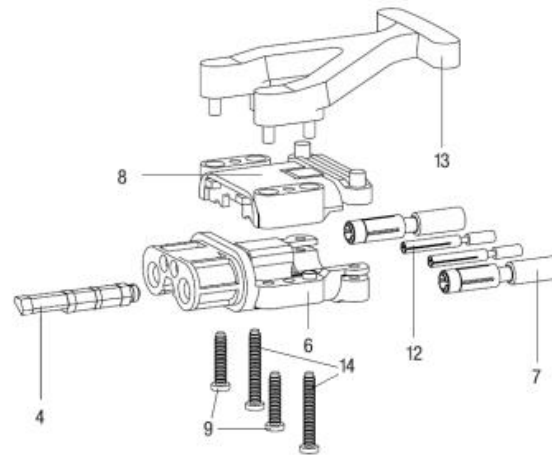
REMA motor connectors are suitable for use in the following applications:


- Personnel / Burden Carriers
- Golf Carts
- Sweeper / Scrubber Floor Cleaning Equipment
- Boating
- Light On-Highway Caravans, Trailer and Mobile Homes

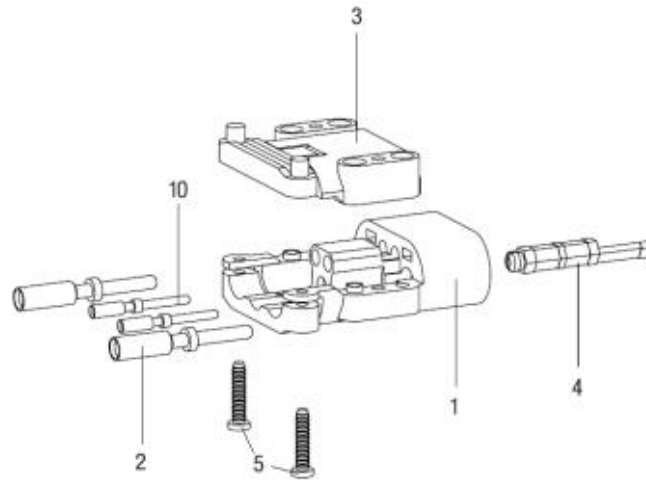
Contacts are made from E-Cu copper optimized for crimp connection.



**FT 80** 



| <b>Female connector</b> |                      |   |
|-------------------------|----------------------|---|
| <b>Item</b>             | <b>Ordering code</b> | <b>Description</b>  |
| 4/6/7/8/9/14            | 81200-00<br>81201-00 | FT 80 Female – 16 mm <sup>2</sup><br>FT 80 Female – 25 mm <sup>2</sup>  |
| 4/6/7/8/9/13/14         | 81205-00<br>81206-00 | FT 80 Female – 16 mm <sup>2</sup> – incl. Handle<br>FT 80 Female – 25 mm <sup>2</sup> – incl. Handle                |
| 4                       | 81236-00             | Charger Key FT 80 Male/Female  |
| 7                       | 81232-00<br>81234-00 | Main Contact FT 80 – 16 mm <sup>2</sup> – Female<br>Main Contact FT 80 – 25 mm <sup>2</sup> – Female                |
| 12                      | 81243-00             | Pilot Contact FT 80 – Female  |
| 13                      | 81235-00             | Handle REMA FT 80 – Red   |



| <b>Male connector</b> |                      |  |
|-----------------------|----------------------|--|
| <b>Item</b>           | <b>Ordering code</b> | <b>Description</b>   |
| 1/2/3/4/5             | 81220-00<br>81221-00 | FT 80 Male – 16 mm <sup>2</sup><br>FT 80 Male – 25 mm <sup>2</sup>                               |
| 2                     | 81242-00<br>81244-00 | Main Contact FT 80 – 16 mm <sup>2</sup> – Male<br>Main Contact FT 80 – 25 mm <sup>2</sup> – Male |
| 4                     | 81236-00             | Charger Key FT 80 Male/Female  |
| 10                    | 81245-00             | Pilot Contact FT 80 Male   |