
REMA CONNECTORS



REMA Group, with locations in Germany, China and the USA, is one of the international technological leaders in the field of high-current contact systems. They develop and produce connector systems for charging electric vehicles, high-current connection materials and crimping tools as well as technologically sophisticated operator interfaces with integrated electronics. The development of the company was always supported by intensive research and development work. Through targeted knowledge transfer, new markets are continually explored and new, innovative products developed.

SR Connectors

Reliable power connection solution for

- Electric vehicle batteries
- Battery chargers
- Forklift trucks
- Other DC voltage applications

Operating voltage determined by housing colour

- Simplifies mating of same voltages

Plug and socket with identical housing design

- Reduces quantity of components
- Reduces purchasing and storage cost

Acid resistant housing material

Handles, strain relieves available

CE Marking & UL recognized

Contacts sized for AWG (American Wire Gauge)

REMA developed high-grade contacts made out of pure high conductive Cu-ETP copper with silver plated surface and an anti-friction and tarnish coating ensure

- Power transition with minimal losses
- Long life
- Suitable for crimping



SR 50 



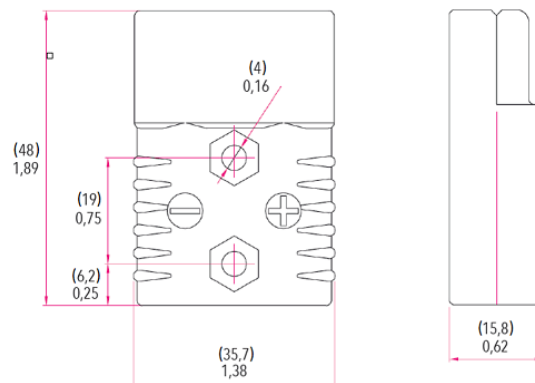
Connectors = Standard housing + wire contacts (set)

Color	10-12 AWG	8 AWG	6 AWG
Gray	78180-01	78180-02	78180-00
Red	78176-00	78176-01	78184-00
Black	78181-04	78181-05	78181-00



Standard housings



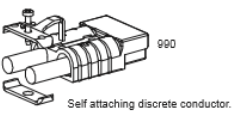
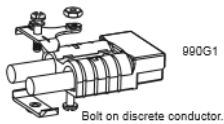
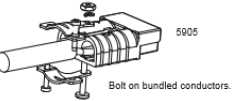
Color	Ordering code	Description
Gray	78001-00	Housing SR 50 – Gray
Red	78002-00	Housing SR 50 – Red
Black	78003-00	Housing SR 50 – Black



 **Silver plated wire contacts**

Section	Ordering code	Description
AWG 12-10	78265-05	Main Contact SR 50 – 12-10 AWG (3,3 - 5,3 mm ²)
AWG 8	78265-10	Main Contact SR 50 – 8 AWG (8,4 mm ²)
AWG 6	78265-00	Main Contact SR 50 – 6 AWG (13,3 mm ²)

Accessories

Picture	Ordering code	Description
	78295-00	Handle SR 50 – Red
	78295-05	Handle SR 50 – Red – T-shaped
 Self attaching discrete conductor.	990 990G2	Cable Clamp, self-attaching for discrete conductor – 8-6 AWG Cable Clamp, self-attaching for discrete conductor – 12-10 AWG
 Bolt on discrete conductor.	990G1	Cable Clamp for discrete conductor – 12-6 AWG
 Bolt on bundled conductors.	5905	Cable Clamp for bundled conductor – 0.32"-0.45"

SR 175 



Connectors = Standard housing + wire contacts (set)

Color	4 AWG	2 AWG	1/0 AWG
Gray	78220-01	78220-02	78220-00
Red	78234-00	78235-00	78236-00
Blue	78224-01	78224-02	78224-00
Yellow*	78230-00	78231-00	78232-00
Orange*	78229-00	78229-01	78228-00

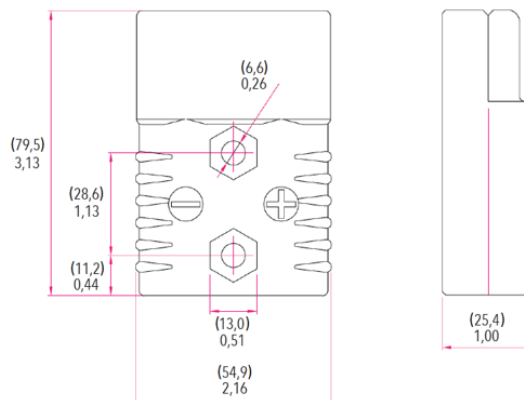
*The housing is an original APP product



Standard housings

Color	Ordering code	Description
Gray	78004-00	Housing SR 175 – Gray
Red	78008-00	Housing SR 175 – Red
Blue	78005-00	Housing SR 175 – Blue
Yellow*	78007-00	Housing SR 175 – Yellow
Orange*	78006-00	Housing SR 175 – Orange



*The housing is an original APP product



 **Silver plated wire contacts**

Section	Ordering code	Description
AWG 4	78268-00	Main Contact SR 175 – 4 AWG (21,2 mm ²)
AWG 2	78270-01	Main Contact SR 175 – 2 AWG (33,6 mm ²)
AWG 1/0	78270-00	Main Contact SR 175 – 1/0 AWG (53,5 mm ²)

Accessories

Picture	Ordering code	Description
	78290-04 78291-04	Handle SR / SRX 175 & SRE160 – Grey – incl. screws Handle SR / SRX 175 & SRE160 – Red – incl. screws
	78010-00	Metallic Strain Relief Cable Clamp REMA SR 175

SR 350 



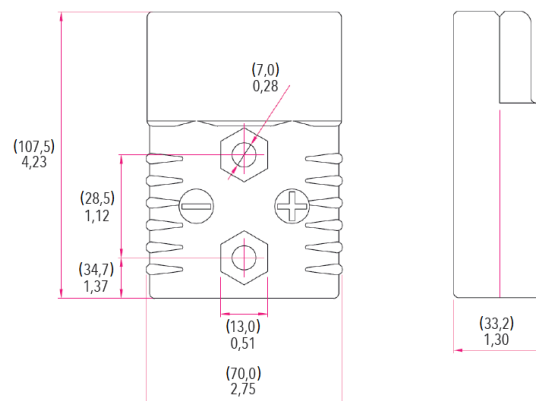
Connectors = Standard housing + wire contacts (set)

Color	1/0 AWG	2/0 AWG	3/0 AWG	4/0 AWG
Gray	78299-00	78300-00	78301-00	on request
Red	78307-00	78308-00	78309-00	on request
Blue	78303-00	78304-00	78304-01	on request
Green	78316-01	78316-00	78317-00	on request



Standard housings




Color	Ordering code	Description
Gray	78135-00	Housing SR 350 – Gray
Red	78138-00	Housing SR 350 – Red
Blue	78136-00	Housing SR 350 – Blue
Green	78139-00	Housing SR 350 – Green



 **Silver plated wire contacts**

Section	Ordering code	Description
1/0 AWG	78273-00	Main Contact SR 350 – 1/0 AWG (53,5 mm ²)
2/0 AWG	78275-00	Main Contact SR 350 – 2/0 AWG (67,4 mm ²)
3/0 AWG	78275-05	Main Contact SR 350 – 3/0 AWG (85,0 mm ²)
4/0 AWG	78275-10	Main Contact SR 350 – 4/0 AWG (120 mm ²)

Accessories

Picture	Ordering code	Description
	78297-04 78298-04	Handle SR350/SRE320/SRX350 – Grey Handle SR350/SRE320/SRX350 – Red
	78297-02	Handle SR350/SRE320/SRX350 – Grey – with 2 screws 1/4" x 43
	78011-00	Metallic Strain Relief Cable Clamp REMA SR 350