

---

## APP CONNECTORS

---



Anderson Power Products (APP), is an international leader in high power interconnect solutions. In 1877, Anderson began as a small company in Boston, MA making innovative trolley and railway power designs. Today as a subsidiary of IDEAL® Industries APP connectors are used around the world across many markets including: Telecom & IT Equipment, Motive Power, and Alternative Energy. APP offers a range of connectors to meet power, signal, & ground needs in protected or environmentally exposed applications.

---

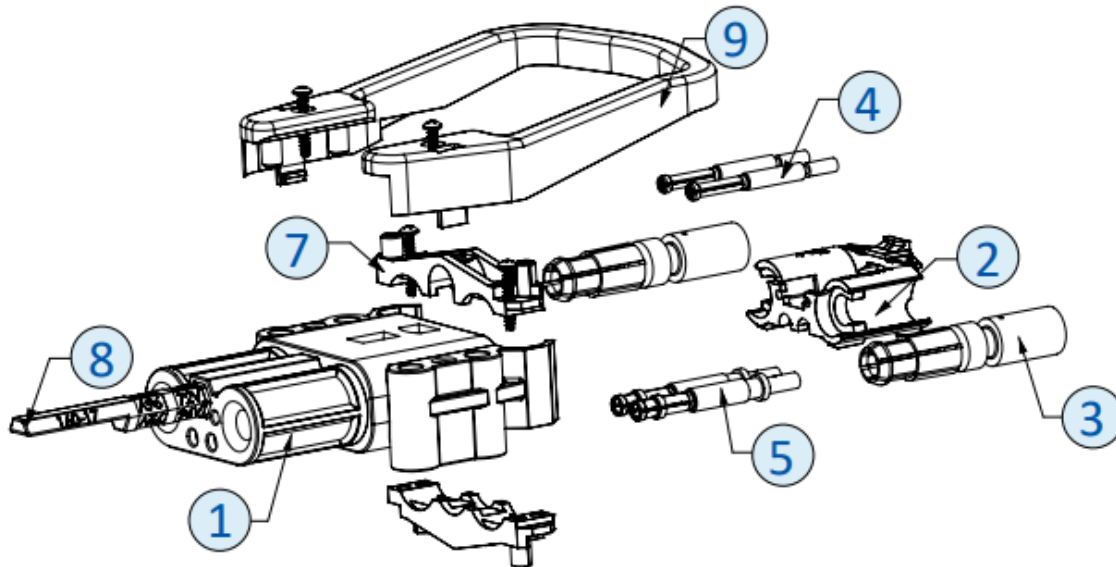
## A series

---

The Anderson™ family of A Series Battery Connectors are expertly designed for ease of use and incorporate an innovative contact carrier to simplify assembly. The A Series connectors include standard 80, 160, and 320 sizes. Robust design and materials offer superior performance. All Materials chosen are RoHS compliant and selected to ensure years of reliability in adverse industrial environments. These attributes make the A Series connectors the ideal choice for a wide range of industrial applications in Material Handling, Battery Charging, Utility Vehicles, Motive Power, and Sweepers/Scrubbers amongst many others.

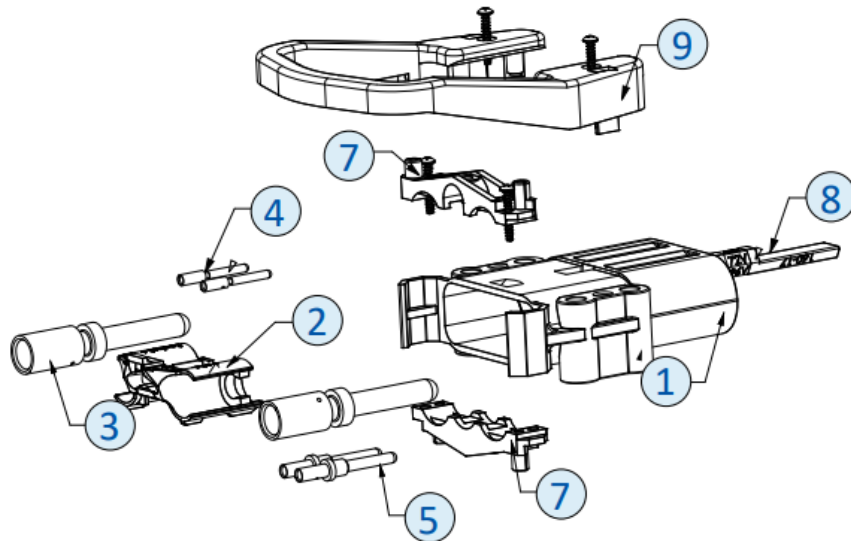


**A80** 



**Female connector**

Item	Ordering code	Description
1+2+7+8	A80500-0009	Housing APP type "A" 80 – Female – Gray Coding Pin
3	EC80-1110	Main Contact APP DIN 80 Female – 10 mm <sup>2</sup> (8 AWG)
	EC80-1116	Main Contact APP DIN 80 Female – 16 mm <sup>2</sup> (6 AWG)
	EC80-1125	Main Contact APP DIN 80 Female – 25 mm <sup>2</sup> (4 AWG)
	EC80-1135	Main Contact APP DIN 80 Female – 35 mm <sup>2</sup> (2 AWG)
4	EHC80-33	Upper Auxiliary Contact APP DIN 80 Female – 18/14 AWG
5	EPC80-31	Lower Pilot Auxiliary Contact APP DIN 80 Female – 18/14 AWG
8	EVKS80-9	Coding Pin APP DIN 80 Gray – Wet
	EVKD80-17	Coding Pin APP DIN 80 Green – Dry
9	EHDLA80	Handle APP DIN 80 Low Profile with 2 screws
	EHDLA80-R	Red Handle APP DIN 80 Low Profile with 2 screws



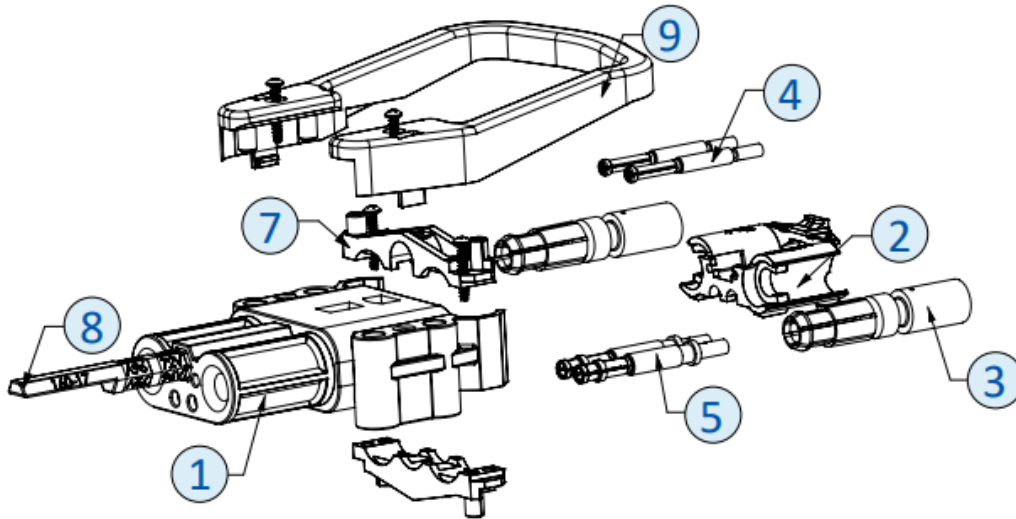
**Male connector**

Item	Ordering code	Description
1+2+7+8	A80400-0009	Housing APP type "A" 80 – Male – Gray Coding Pin
3	EC80-1010 EC80-1016 EC80-1025 EC80-1035	Main Contact APP DIN 80 Male – 10 mm <sup>2</sup> (8 AWG) Main Contact APP DIN 80 Male – 16 mm <sup>2</sup> (6 AWG) Main Contact APP DIN 80 Male – 25 mm <sup>2</sup> (4 AWG) Main Contact APP DIN 80 Male – 35 mm <sup>2</sup> (2 AWG)
4	EHC80-32	Upper Auxiliary Contact APP DIN 80 Male – 18/14 AWG
5	EPC80-30	Lower Pilot Auxiliary Contact APP DIN 80 Male – 18/14 AWG
8	EVKS80-9 EVKD80-17 EVKU80-19	Coding Pin APP DIN 80 Gray – Wet Coding Pin APP DIN 80 Green – Dry Coding Pin APP DIN 80 Yellow – Universal
9	EHDLA80 EHDLA80-R	Handle APP DIN 80 Low Profile with 2 screws Red Handle APP DIN 80 Low Profile with 2 screws



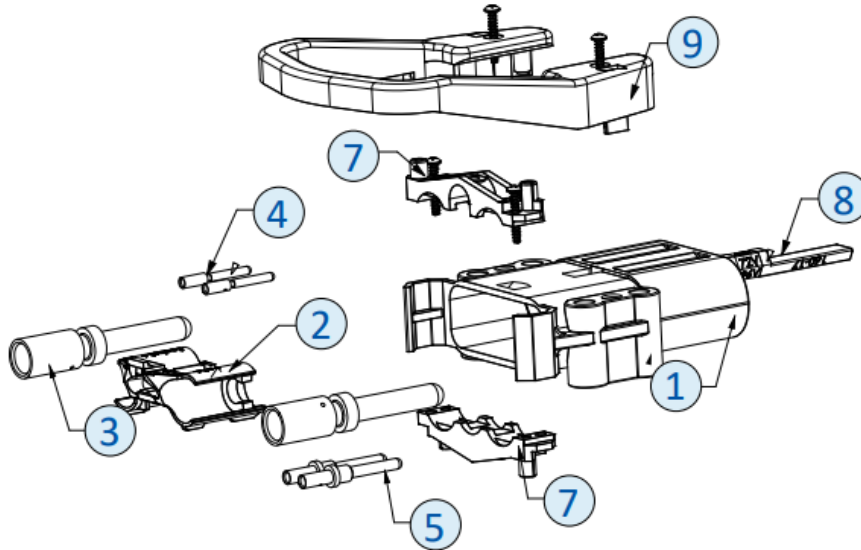
<b>Ordering code</b>	
Example:	<b>A80535-1009</b>
Series: _____ A80	
Gender: _____ 4 – Male 5 – Female	
Main contacts: _____ 00 – Non – order separately 10 – 10 mm <sup>2</sup> (8 AWG) 16 – 16 mm <sup>2</sup> (6 AWG) 25 – 25 mm <sup>2</sup> (4 AWG) 35 – 35 mm <sup>2</sup> (2 AWG)	
Handle: _____ 0 – None 1 – Black* 2 – Red* *A80 comes with the low profile T handle.	
Coding key: _____ 0 – Gray, wet cell 2 – Green, dry cell 3 – Yellow, universal (only on male housing)	
Auxiliary contacts & Air Tubes: _____ 0 – None 1 – Lower pilot auxiliary contacts 2 – Upper auxiliary contacts 4 – Lower pilot auxiliary & upper auxiliary contacts	
Packing: _____ 9 – Individual 8 – Bulk	

**A160** 



<b>Female connector</b>		
Item	Ordering code	Description
1+2+7+8	A16500-0009	Housing APP type "A" 160 – Female – Gray Coding Pin
3	EC160-1116	Main Contact APP DIN 160 Female – 16 mm <sup>2</sup> (6 AWG)
	EC160-1125	Main Contact APP DIN 160 Female – 25 mm <sup>2</sup> (4 AWG)
	EC160-1135	Main Contact APP DIN 160 Female – 35 mm <sup>2</sup> (2 AWG)
	EC160-1150	Main Contact APP DIN 160 Female – 50 mm <sup>2</sup> (1 to 1/0 AWG)
4	AHC160-15	Upper Auxiliary Contact APP DIN 160/320 Female – 12 AWG
	AHC320-25*	Upper Auxiliary Contact APP DIN 160/320 Female – 18/14 AWG
5	EPC160-13	Lower Pilot Auxiliary Contact APP DIN 160/320 Female – 10 AWG
	APC320-23*	Lower Pilot Auxiliary Contact APP DIN 160/320 Female – 18/14 AWG
8	EVKS160-9	Coding Pin APP DIN 160/320 Gray – Wet
	EVKD160-17	Coding Pin APP DIN 160/320 Green – Dry
9	EHDLA320-H	Handle APP DIN 160/320 "A" High Profile with 2 screws
	EHDLA320-L	Handle APP DIN 160/320 "A" Low Profile with 2 screws

\*The 18/14 AWG auxiliary contacts are standard in the composed kits (see table ordering codes)






### Male connector

Item	Ordering code	Description
1+2+7+8	A16400-0009	Housing APP type "A" 160 – Male – Gray Coding Pin
3	EC160-1016 EC160-1025 EC160-1035 EC160-1050	Main Contact APP DIN 160 Male – 16 mm <sup>2</sup> (6 AWG) Main Contact APP DIN 160 Male – 25 mm <sup>2</sup> (4 AWG) Main Contact APP DIN 160 Male – 35 mm <sup>2</sup> (2 AWG) Main Contact APP DIN 160 Male – 50 mm <sup>2</sup> (1 to 1/0 AWG)
4	AHC160-14 AHC320-24*	Upper Auxiliary Contact APP DIN 160/320 Male – 12 AWG Upper Auxiliary Contact APP DIN 160/320 Male – 18/14 AWG
5	EPC160-12 APC320-22*	Lower Pilot Auxiliary Contact APP DIN 160/320 Male – 10 AWG Lower Pilot Auxiliary Contact APP DIN 160/320 Male – 18/14 AWG
8	EVKS160-9 EVKD160-17 EVKU160-19	Coding Pin APP DIN 160/320 Gray – Wet Coding Pin APP DIN 160/320 Green – Dry Coding Pin APP DIN 160/320 Yellow – Universal
9	EHDLA320-H EHDLA320-L	Handle APP DIN 160/320 "A" High Profile with 2 screws Handle APP DIN 160/320 "A" Low Profile with 2 screws



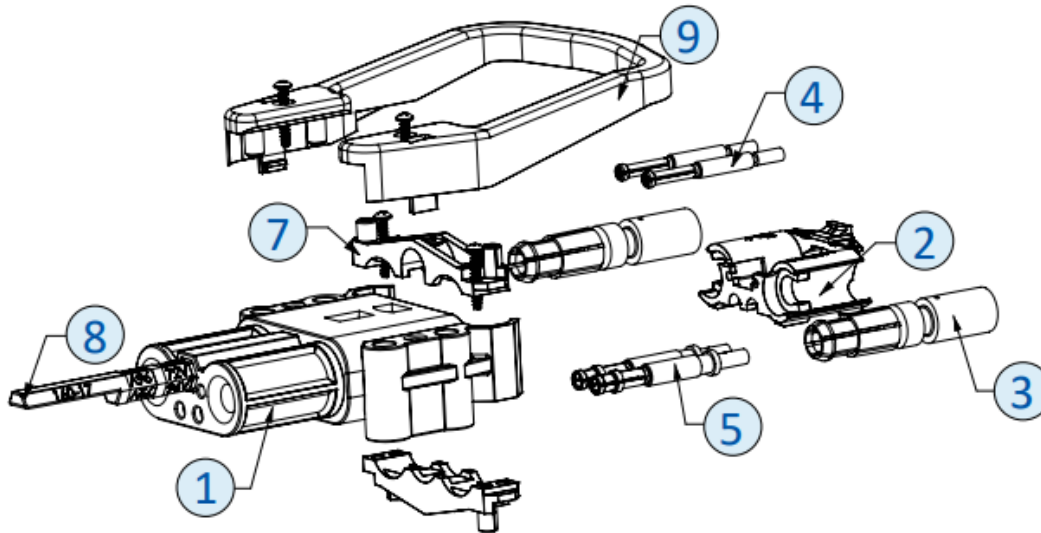
\*The 18/14 AWG auxiliary contacts are standard in the composed kits (see table ordering codes)

<b>Accessories</b>		
<b>Picture</b>	<b>Ordering code</b>	<b>Description</b>
	993G4 994G4	Manual Release DIN 160/320 with hardware kit – Battery Manual Release DIN 160/320 with hardware kit – Charger/Truck
	A320LP-MK	Latch Plate DIN 160/320
	A320HL-MK	Handle & Lever Assembly DIN 160/320



<b>Ordering code</b>	
Example:	<b>A16550-1009</b>
Series: _____ A160	
Gender: _____ 4 – Male 5 – Female	
Main contacts: _____ 00 – Non – order separately 16 – 16 mm <sup>2</sup> (6 AWG) 25 – 25 mm <sup>2</sup> (4 AWG) 35 – 35 mm <sup>2</sup> (2 AWG) 50 – 50 mm <sup>2</sup> (1/0 AWG to 1 AWG)	
Handle: _____ 0 – None 1 – Black* *A160 comes standard with the low profile handle.	
Coding key: _____ 0 – Gray, wet cell 2 – Green, dry cell 3 – Yellow, universal (only on male housing)	
Auxiliary contacts & Air Tubes: _____ 0 – None 1 – Lower pilot auxiliary contacts (18/14 AWG) 2 – Upper auxiliary contacts (18/14 AWG) 4 – Lower pilot auxiliary & upper auxiliary contacts (18/14 AWG)	
Packing: _____ 9 – Individual 8 – Bulk	

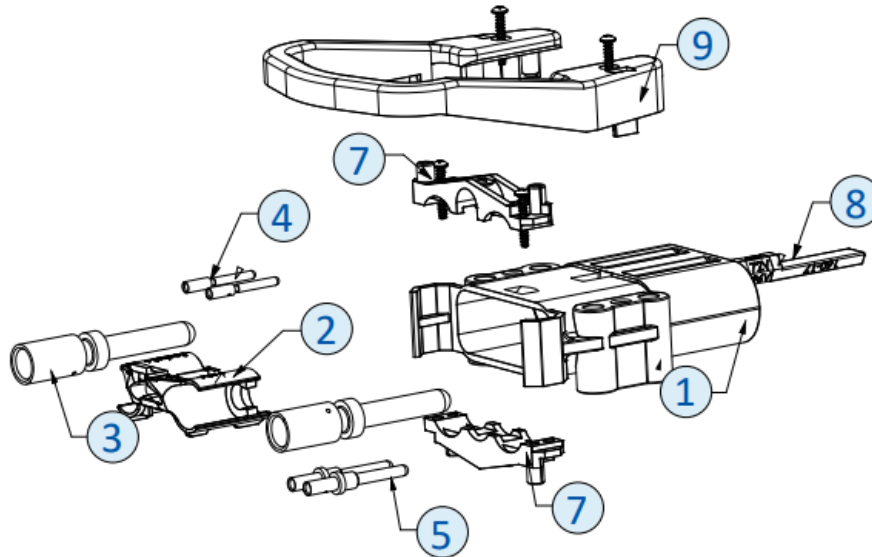
**A320** 

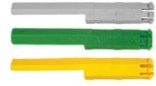


**Female connector**




Item	Ordering code	Description
1+2+7+8	A32500-0009	Housing APP type "A" 320 – Female – Gray Coding Pin
3	EC320-1150 EC320-1170 EC320-1195 EC320-1104	Main Contact APP DIN 320 Female – 50 mm <sup>2</sup> (1 to 1/0 AWG) Main Contact APP DIN 320 Female – 70 mm <sup>2</sup> (2/0 to 3/0 AWG) Main Contact APP DIN 320 Female – 95 mm <sup>2</sup> (3/0 to 4/0 AWG) Main Contact APP DIN 320 Female – 120 mm <sup>2</sup> (4/0 AWG)
4	AHC160-15 AHC320-25*	Upper Auxiliary Contact APP DIN 160/320 Female – 12 AWG Upper Auxiliary Contact APP DIN 160/320 Female – 18/14 AWG
5	EPC160-13 APC320-23*	Lower Pilot Auxiliary Contact APP DIN 160/320 Female – 10 AWG Lower Pilot Auxiliary Contact APP DIN 160/320 Female – 18/14 AWG
8	EVKS160-9 EVKD160-17	Coding Pin APP DIN 160/320 Gray – Wet Coding Pin APP DIN 160/320 Green – Dry
9	EHDLA320-H EHDLA320-L	Handle APP DIN 160/320 "A" High Profile with 2 screws Handle APP DIN 160/320 "A" Low Profile with 2 screws

\*The 18/14 AWG auxiliary contacts are standard in the composed kits (see table ordering codes)



<b>Male connector</b>			
<b>Item</b>	<b>Ordering code</b>	<b>Description</b>	
1+2+7+8	A32400-0009	Housing APP type "A" 320 – Male – Gray Coding Pin	
3	EC320-1050 EC320-1070 EC320-1095 EC320-1004	Main Contact APP DIN 320 Male – 50 mm <sup>2</sup> (1 to 1/0 AWG) Main Contact APP DIN 320 Male – 70 mm <sup>2</sup> (2/0 to 3/0 AWG) Main Contact APP DIN 320 Male – 95 mm <sup>2</sup> (3/0 to 4/0 AWG) Main Contact APP DIN 320 Male – 120 mm <sup>2</sup> (4/0 AWG)	
4	AHC160-14 AHC320-24*	Upper Auxiliary Contact APP DIN 160/320 Male – 12 AWG Upper Auxiliary Contact APP DIN 160/320 Male – 18/14 AWG	
5	EPC160-12 APC320-22*	Lower Pilot Auxiliary Contact APP DIN 160/320 Male – 10 AWG Lower Pilot Auxiliary Contact APP DIN 160/320 Male – 18/14 AWG	
8	EVKS160-9 EVKD160-17 EVKU160-19	Coding Pin APP DIN 160/320 Gray – Wet Coding Pin APP DIN 160/320 Green – Dry Coding Pin APP DIN 160/320 Yellow – Universal	
9	EHDLA320-H EHDLA320-L	Handle APP DIN 160/320 "A" High Profile with 2 screws Handle APP DIN 160/320 "A" Low Profile with 2 screws	

\*The 18/14 AWG auxiliary contacts are standard in the composed kits (see table ordering codes)

<b>Accessories</b>		
<b>Picture</b>	<b>Ordering code</b>	<b>Description</b>
	993G4 994G4	Manual Release DIN 160/320 with hardware kit – Battery Manual Release DIN 160/320 with hardware kit – Charger/Truck
	A320LP-MK	Latch Plate DIN 160/320
	A320HL-MK	Handle & Lever Assembly DIN 160/320

<b>Ordering code</b>	
Example:	<b>A32550-1009</b>
Series: _____ A320	
Gender: _____ 4 – Male 5 – Female	
Main contacts: _____ 00 – Non – order separately 50 – 50 mm <sup>2</sup> (1/0 AWG to 1 AWG) 70 – 70 mm <sup>2</sup> (2/0 AWG to 3/0 AWG) 95 – 95 mm <sup>2</sup> (3/0 AWG to 4/0 AWG) 04 – 120 mm <sup>2</sup> (4/0 AWG)	
Handle: _____ 0 – None 1 – Black* *A320 comes standard with the high profile handle.	
Coding key: _____ 0 – Gray, wet cell 2 – Green, dry cell 3 – Yellow, universal (only on male housing)	
Auxiliary contacts & Air Tubes: _____ 0 – None 1 – Lower pilot auxiliary contacts (18/14 AWG) 2 – Upper auxiliary contacts (18/14 AWG) 4 – Lower pilot auxiliary & upper auxiliary contacts (18/14 AWG)	
Packing: _____ 9 – Individual 8 – Bulk	