
REMA CONNECTORS



REMA Group, with locations in Germany, China and the USA, is one of the international technological leaders in the field of high-current contact systems. They develop and produce connector systems for charging electric vehicles, high-current connection materials and crimping tools as well as technologically sophisticated operator interfaces with integrated electronics. The development of the company was always supported by intensive research and development work. Through targeted knowledge transfer, new markets are continually explored and new, innovative products developed.

EURO-DIN Connectors

REMA® is the leading supplier of DIN-style (DIN standard 43589) quick disconnect power connectors. These quick disconnect power connectors are used in a variety of applications, including:

Materials Handling - Aerial Lift - Sweeper/Scrubber - Utility Vehicles - Motive Power - Battery Chargers.

In order to withstand the frequent use in these rough environments it is imperative that the construction of these connectors be extremely robust. The REMA® brand DIN-style connectors exceed the requirement of the DIN Standard 43589 for both mechanical and electrical durability.

To meet the demands of newer high-current applications, including “fast charging”, REMA® has developed a larger capacity DIN 640 A connector.

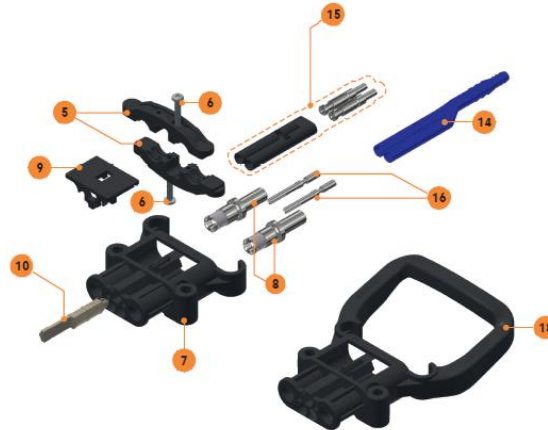
Contacts are made from E-Cu copper optimized for crimp connection. Crimp tooling and dies are contained in this catalogue. Only the use of REMA® crimp equipment results in full warranty.

Features of the REMA® DIN-style connector include:

- Housing constructed of glass fiber reinforced composite material for extreme durability and resistance battery acid
- REMA® engineered contacts made of high grade electrolyte copper and silver plated for corrosion protection
- UL 1977 certified component
- Meets or exceeds the following industry standards: DIN 43589, EN 1175-1, IEC 20989, UL1977
- In compliance with machinery directive 2006/42 EG and therefore with „CE“ Marking
- Accepts REMA® DIN-Style Connector Options including coding/locking pins, air supply, auxiliary contacts and handles
- Small number of parts
- Easy, intuitive assembly



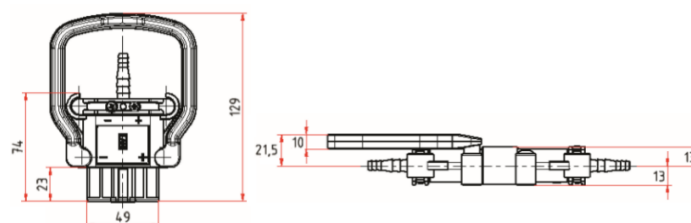
DIN 80 

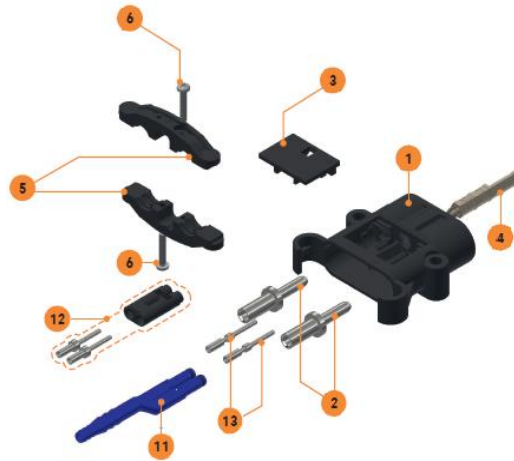


Female connector		
Item	Ordering code	Description
5(2x)/6/7/ 8/9/10*	95306-00 95309-00 95309-10	REMA DIN 80 Female – 16 mm ² REMA DIN 80 Female – 25 mm ² REMA DIN 80 Female – 35 mm ²
5/6/7/9	95425-01	Housing REMA DIN 80 Female – incl. Cable Clamp
8	75317-00 75318-00 75319-00	Main Contact REMA DIN 80 Female – 16 mm ² Main Contact REMA DIN 80 Female – 25 mm ² Main Contact REMA DIN 80 Female – 35 mm ²
10	75435-00 75438-00	REMA DIN 80 Coding Pin – Gray REMA DIN 80 Coding Pin – Green
14	75070-42	Air Adapter REMA DIN 80 Female
15	75289-00	Pilot Contacts (2 pcs.+ adapter) REMA DIN 80 Female
16	75240-02	Auxiliary Contact REMA DIN 80 – Female
5(2x)/6/8/ 9/10/18*	95306-01 95342-01 95309-01	REMA DIN 80 Female – 16 mm ² – with Molded Handle REMA DIN 80 Female – 25 mm ² – with Molded Handle REMA DIN 80 Female – 35 mm ² – with Molded Handle
18	95425-05	Housing REMA DIN 80 Female with Molded Handle and Cable Clamp

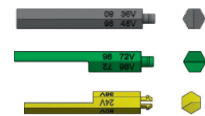


*Standard with gray coding pin

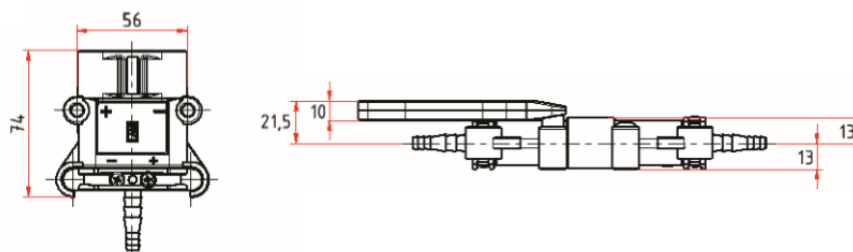








Male connector		
Item	Ordering code	Description
1/2/3/4/ 5(2x)/6*	95198-10 95198-00 95199-00 95199-10	REMA DIN 80 Male – 10 mm ² REMA DIN 80 Male – 16 mm ² REMA DIN 80 Male – 25 mm ² REMA DIN 80 Male – 35 mm ²
1/3/5(2x)/6	95427-01	Housing REMA DIN 80 Male – incl. Cable Clamp
2	75314-10 75314-00 75315-00 75316-00	Main Contact REMA DIN 80 Male – 10 mm ² Main Contact REMA DIN 80 Male – 16 mm ² Main Contact REMA DIN 80 Male – 25 mm ² Main Contact REMA DIN 80 Male – 35 mm ²
4	75435-00 75438-00 75436-00	REMA DIN 80 Coding Pin – Gray REMA DIN 80 Coding Pin – Green REMA DIN 80 Coding Pin – Yellow
11	75070-43	Air Adapter REMA DIN 80 Male
12	75243-00	Pilot Contacts (2 pcs.+ adapter) REMA DIN 80 Male
13	75070-02	Auxiliary Contact REMA DIN 80/160 Male



*Standard with gray coding pin

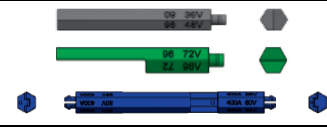


Accessories		
Picture	Ordering code	Description
	79811-00	Reducing Bushing REMA 16 mm ² - 10 mm ²
	79812-00	Reducing Bushing REMA 25 mm ² - 10 mm ²
	75327-01	Reducing Bushing REMA 35 mm ² - 10 mm ²
	95244-01	Handle REMA DIN 80 – with screws M6x30 – Gray
	95244-00	Snap-on Handle REMA DIN 80 – Standard (Click-on)
	75229-00	Handle REMA DIN 80 – Red
	LV80 H1/S	Handle SCHALTBAU DIN 80 with 2 screws – Black
	80283-10	Locking Plate – REMA DIN 80

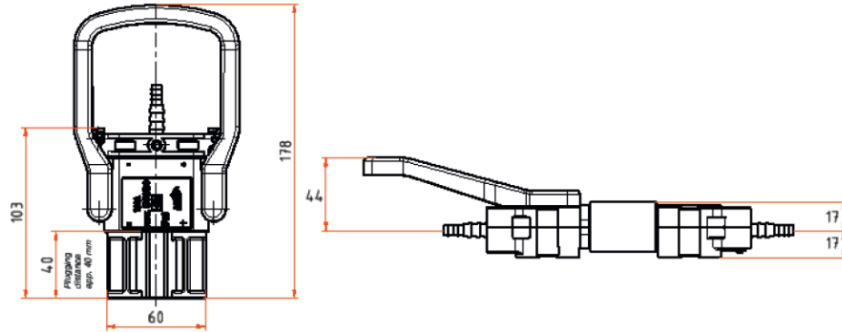
DIN 160 

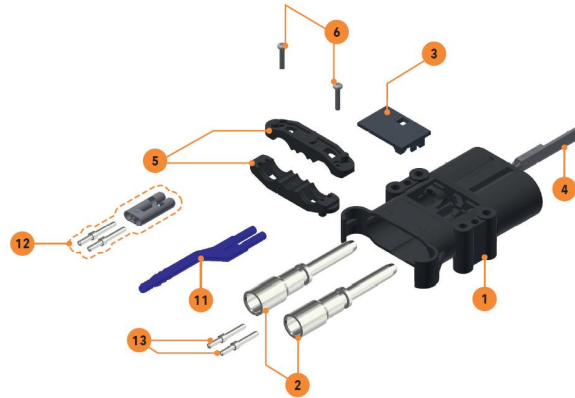


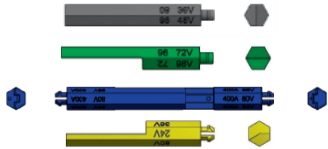
Female connector		
Item	Ordering code	Description
5(2x)/6/7/ 8/9/10*	95001-08 95007-08 95012-08 95017-08 95022-08	REMA DIN 160 Female – 16 mm ² REMA DIN 160 Female – 25 mm ² REMA DIN 160 Female – 35 mm ² REMA DIN 160 Female – 50 mm ² REMA DIN 160 Female – 70 mm ²
5/6/7/9	95026-01	Housing REMA DIN 160 Female- incl. Cable Clamp
8	75021-01 75022-01 75023-01 75024-01 75024-05	Main Contact REMA DIN 160 Female – 16 mm ² Main Contact REMA DIN 160 Female – 25 mm ² Main Contact REMA DIN 160 Female – 35 mm ² Main Contact REMA DIN 160 Female – 50 mm ² Main Contact REMA DIN 160 Female – 70 mm ²
10	75057-01 75233-01 75057-95	REMA DIN 160/320 Coding Pin – Gray REMA DIN 160/320 Coding Pin – Green REMA DIN 160/320 Coding Pin Female – Blue
14	75070-12	Air Adapter REMA DIN 160 Female
15	75068-03	Pilot Contacts (2 pcs.+ adapter) REMA DIN 160 Female
16	77640-00	Auxiliary Contact REMA DIN 160 – Female
5(2x)/6/8/ 9/10/18*	95001-01 95007-01 95012-01 95017-01 95017-05	REMA DIN 160 Female – 16 mm ² – with Molded Handle REMA DIN 160 Female – 25 mm ² – with Molded Handle REMA DIN 160 Female – 35 mm ² – with Molded Handle REMA DIN 160 Female – 50 mm ² – with Molded Handle REMA DIN 160 Female – 70 mm ² – with Molded Handle
18	95026-04	Housing REMA DIN 160 Female with Molded Handle and Cable Clamp



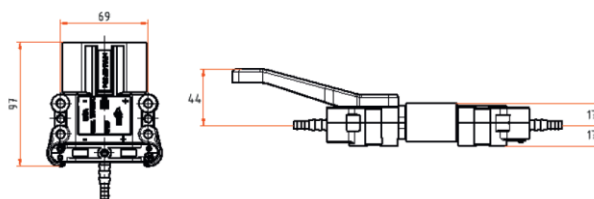
*Standard with gray coding pin












Male connector			
Item	Ordering code	Description	
1/2/3/4/ 5(2x)/6*	95029-01 95034-01 95039-01 95044-01 95044-04	REMA DIN 160 Male – 16 mm ² REMA DIN 160 Male – 25 mm ² REMA DIN 160 Male – 35 mm ² REMA DIN 160 Male – 50 mm ² REMA DIN 160 Male – 70 mm ²	
1/3/4/5(2x)/6	95053-01	Housing REMA DIN 160 Male – incl. Cable Clamp	
2	75048-10 75048-01 75049-01 75050-01 75051-01 75051-05	Main Contact REMA DIN 160 Male – 10 mm ² Main Contact REMA DIN 160 Male – 16 mm ² Main Contact REMA DIN 160 Male – 25 mm ² Main Contact REMA DIN 160 Male – 35 mm ² Main Contact REMA DIN 160 Male – 50 mm ² Main Contact REMA DIN 160 Male – 70 mm ²	
4	75057-01 75233-01 75057-90 75231-01	REMA DIN 160/320 Coding Pin – Gray REMA DIN 160/320 Coding Pin – Green REMA DIN 160/320 Coding Pin Male – Blue REMA DIN 160/320 Coding Pin – Yellow	
11	75070-13	Air Adapter REMA DIN 160 Male	
12	75070-03	Pilot Contacts (2 pcs.+ adapter) REMA DIN 160 Male	
13	75070-02	Auxiliary Contact REMA DIN 80/160 Male	

*Standard with gray coding pin

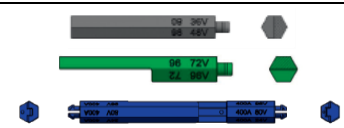


Accessories		
Picture	Ordering code	Description
	79811-00 79812-00 75327-01	Reducing Bushing REMA 16 mm ² - 10 mm ² Reducing Bushing REMA 25 mm ² - 10 mm ² Reducing Bushing REMA 35 mm ² - 10 mm ²
	95066-65 95066-68 75066-66	Screwed Handle DIN 160 – Standard with 4 screws Handle REMA DIN 160/320 (8 screws) Handle REMA DIN 160 – Red (4 screws)
	95239-07	Handle DIN 160 A – 2 bolts 45 mm, security nuts
	EHDL-EN	Handle DIN 160-320 A – Long Steel – PVC
	EHDL-TOY	Handle DIN 160-320 – Steel – with PVC-coating
	LV160/320 H1/S	Handle Schaltbau LV/LB-L 160/320 A with screws – Black
	80283-11	Locking Plate – REMA DIN 160

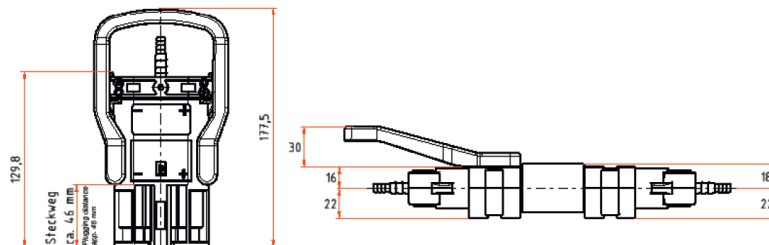
DIN 320 

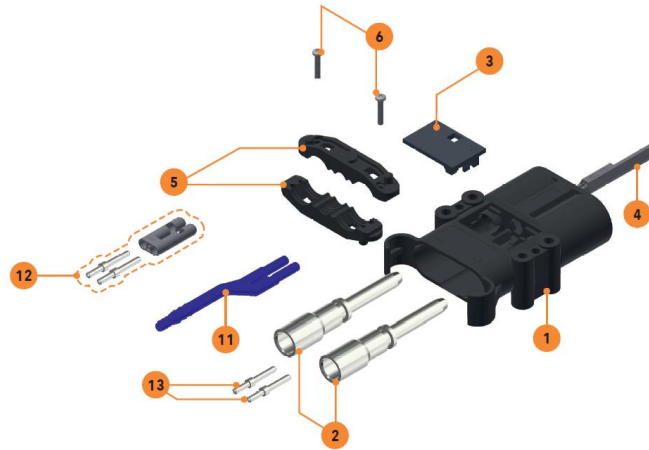


Female connector		
Item	Ordering code	Description
5(2x)/6/7/ 8/9/10*	95601-01	REMA DIN 320 Female – 50 mm ²
	95605-01	REMA DIN 320 Female – 70 mm ²
	95610-01	REMA DIN 320 Female – 95 mm ²
5/6/7/9	95700-01	Housing REMA DIN 320 Female – incl. Cable Clamp
8	75660-01	Main Contact REMA DIN 320 Female – 50 mm ²
	75665-01	Main Contact REMA DIN 320 Female – 70 mm ²
	75670-01	Main Contact REMA DIN 320 Female – 95 mm ²
10	75057-01	REMA DIN 160/320 Coding Pin – Gray
	75233-01	REMA DIN 160/320 Coding Pin – Green
	75057-95	REMA DIN 160/320 Coding Pin Female – Blue
14	75070-32	Air Adapter REMA DIN 320/640 Female
15	75591-00	Pilot Contacts (2 pcs.+ adapter) REMA DIN 320/640 Female
16	75590-02	Auxiliary Contact REMA DIN 320/640 Female

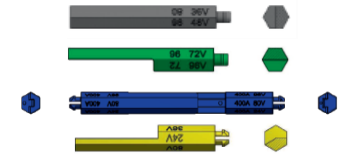


*Standard with gray coding pin

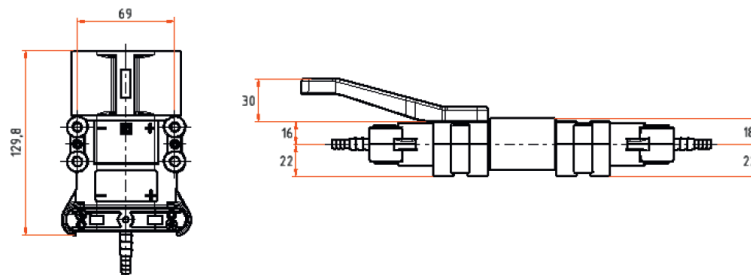











Male connector		
Item	Ordering code	Description
1/2/3/4/ 5(2x)/6*	95500-01 95505-01 95510-01	REMA DIN 320 Male – 50 mm ² REMA DIN 320 Male – 70 mm ² REMA DIN 320 Male – 95 mm ²
1/3/5(2x)/6	95600-01	Housing REMA DIN 320 Male – incl. Cable Clamp
2	75560-01 75565-01 75570-01	Main Contact REMA DIN 320 Male – 50 mm ² Main Contact REMA DIN 320 Male – 70 mm ² Main Contact REMA DIN 320 Male – 95 mm ²
4	75057-01 75233-01 75057-90 75231-01	REMA DIN 160/320 Coding Pin – Gray REMA DIN 160/320 Coding Pin – Green REMA DIN 160/320 Coding Pin Male – Blue REMA DIN 160/320 Coding Pin – Yellow
11	75070-33	Air Adapter REMA DIN 320/640 Male
12	75596-00	Pilot Contacts (2 pcs.+ adapter) REMA DIN 320/640 Male
13	75595-01	Auxiliary Contact REMA DIN 320/640 Male



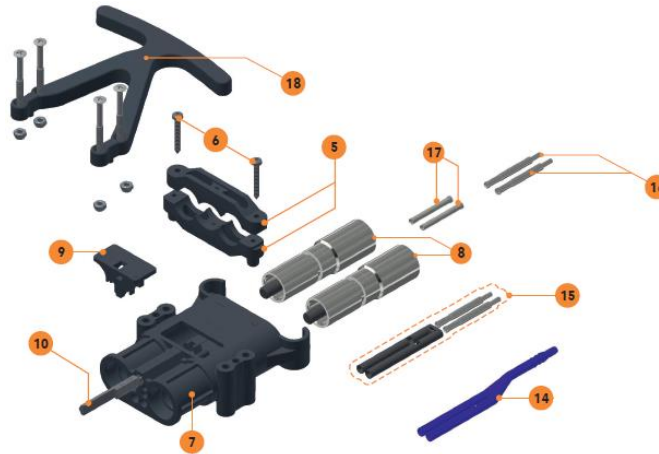
*Standard with gray coding pin



Accessories

Picture	Ordering code	Description
	79817-00 79816-00 77605-00	Reducing Bushing REMA 50 mm ² - 35 mm ² Reducing Bushing REMA 50 mm ² - 25 mm ² Reducing Bushing REMA 50 mm ² - 16 mm ²
	95066-67 95066-68 75066-68	Screwed Handle REMA DIN 320 – Standard with 4 screws Handle REMA DIN 160/320 (8 screws) Handle REMA DIN 320 – Red (4 screws)
	95239-05	Screwed Flat Handle REMA DIN 320 - 2 bolts 50 mm, security nuts
	EHDL-EN	Handle DIN 160-320 A – Long Steel – PVC
	EHDL-TOY	Handle DIN 160-320 – Steel with PVC-coating
	LV160/320 H1/S	Handle Schaltbau LV/LB-L 160/320 A with screws – Black
	80283-12	Locking Plate – REMA DIN 320

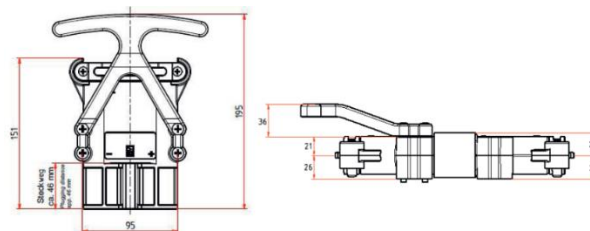
DIN 640 

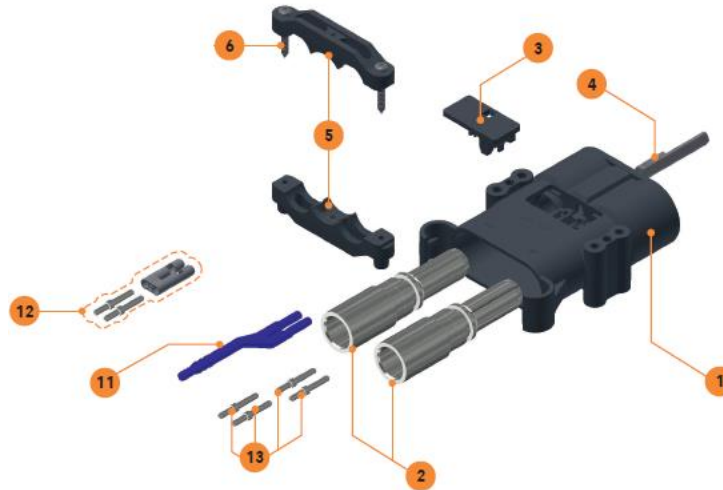


Female connector		
Item	Ordering code	Description
5(2x)/6/7/ 8/9/10*	95950-30 95950-20 95950-10 95950-00	REMA DIN 640 Female – 70 mm ² REMA DIN 640 Female – 95 mm ² REMA DIN 640 Female – 120 mm ² REMA DIN 640 Female – 240 mm ²
10	75057-01 75233-01 75057-95	REMA DIN 160/320 Coding Pin – Gray REMA DIN 160/320 Coding Pin – Green REMA DIN 160/320 Coding Pin Female – Blue
14	75070-32	Air Adapter REMA DIN 320/640 Female
15	75591-00	Pilot Contacts (2 pcs.+ adapter) REMA DIN 320/640 Female
16	75590-02	Auxiliary Contact REMA DIN 320/640 Female
17	M93320-74	Auxiliary Contact REMA MRC 320 Female – 2 pieces

*Standard with gray coding pin

*Only available in kit with main contacts

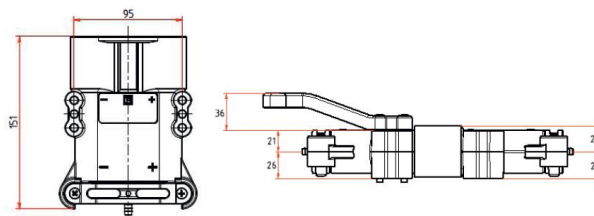






Male connector			
Item	Ordering code	Description	
1/2/3/4/ 5(2x)/6*	95850-30	REMA DIN 640 Male – 70 mm ²	
	95850-20	REMA DIN 640 Male – 95 mm ²	
	95850-10	REMA DIN 640 Male – 120 mm ²	
	95850-00	REMA DIN 640 Male – 240 mm ²	
4	75057-01	REMA DIN 160/320 Coding Pin – Gray	
	75233-01	REMA DIN 160/320 Coding Pin – Green	
	75057-90	REMA DIN 160/320 Coding Pin Male – Blue	
	75231-01	REMA DIN 160/320 Coding Pin – Yellow	
11	75070-33	Air Adapter REMA DIN 320/640 Male	
12	75596-00	Pilot Contacts (2 pcs.+ adapter) REMA DIN 320/640 Male	
13	75595-01	Auxiliary Contact REMA DIN 320/640 Male	

*Standard with gray coding pin

*Only available in kit with main contacts



Accessories

Picture	Ordering code	Description
	95800-11	Handle REMA DIN 640 (4 screws)
	EHDL-MET-TOY-640-SCR	Screwed Metal Handle DIN 640 with PVC-coating - L: 135 mm (5 5/16 in) + 4 screws

Conversion table

10 mm ²	8 AWG
16 mm ²	6 AWG
25 mm ²	4 AWG
35 mm ²	2 AWG
50 mm ²	1/0 AWG
70 mm ²	2/0 AWG
95 mm ²	3/0 AWG
120 mm ²	4/0 AWG
150 mm ²	300 MCM
240 mm ²	500 MCM